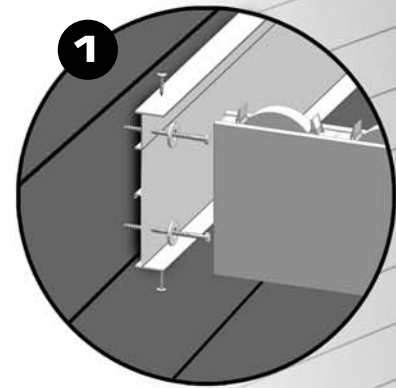


PERGOLAS

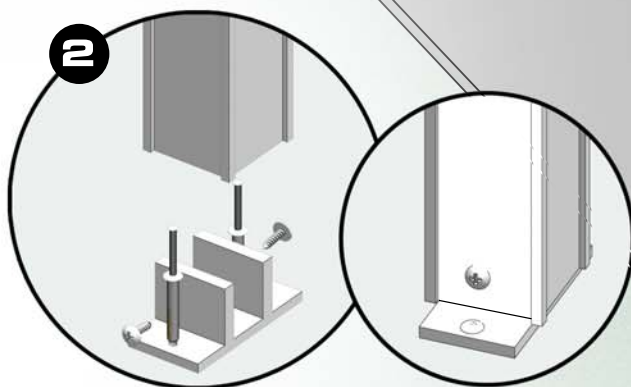
BY TEMO, INC.

Installation made easy!



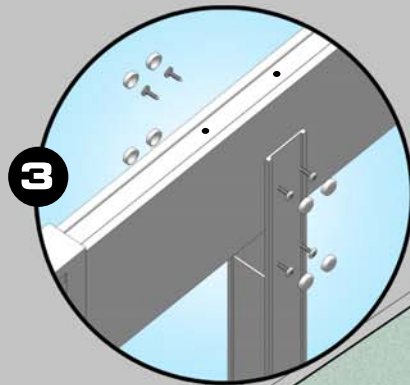
1. Hanging Rail

Attach the hanging rail to the existing structure (studs, trusses, rafters, etc.) of the house using approved fasteners.



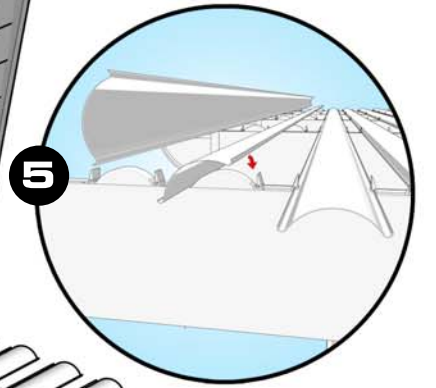
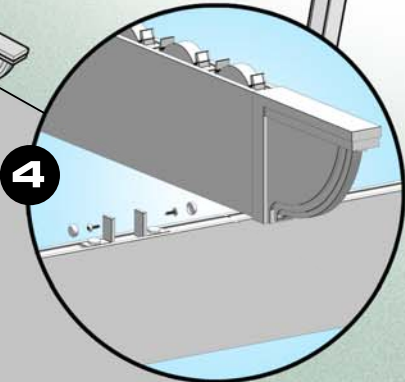
2. Foundation Attachment

Locate and install the column shoes to your approved foundation. Stand the column into place. Fasten the column to the column shoes using approved fasteners.



3. Column & Beam Attachment

Locate rafter brackets and fasten them to the front beam. Each bracket has a pre-scribed location on the beam for easy installation. Insert the beam into the pre-notched column; level and attach the column to the beam with the approved fasteners.



5. Crescent Lattice Installation

Insert and SNAP the lattice into place on the pre-installed snap-lock bracket.

4. Rafter & Beam Connection

Locate the rafter brackets and fasten them to the front beam. Each bracket has a pre-scribed location on the beam for easy installation. Insert each rafter into the hanging rail on the house, aligning it with the corresponding bracket on the beam. Attach the rafter to the hanging rail and rafter brackets with the provided hardware.