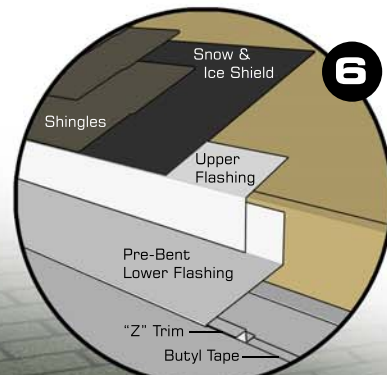


PATIO COVERS

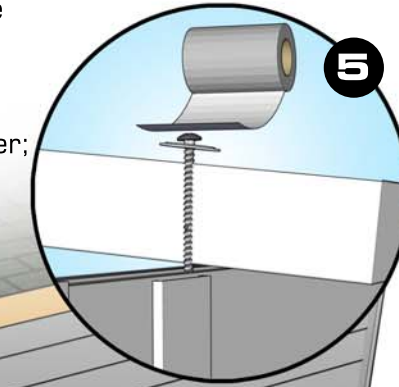
BY TEMO, INC.

Installation made easy!



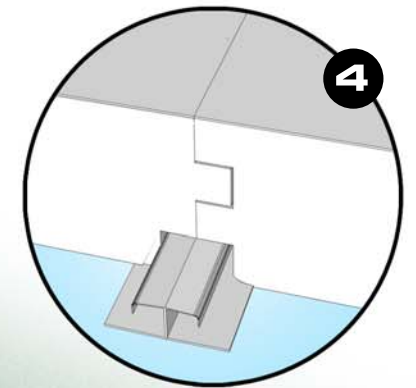
6. Flashing System

Once the roof has been secured, apply butyl tape to the bottom of the "Z" trim and secure to the roof. Next, hook the pre-bent flashing to the "Z" trim and secure to your house. Finally, with homeowner supplied materials, flash your house roof to your new patio cover; apply snow and ice shield and put the shingles back.



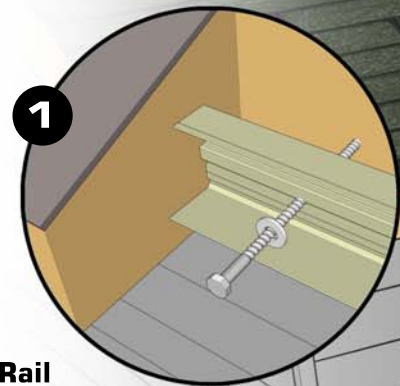
5. Secure Roofing System

Once panels are installed and sealed, it's time to secure them to the wall panels. Anchor the roof panel with lag screws into the top cap of the wall section beneath. Then seal all seams and attachments with Eternabond Sealing Tape.



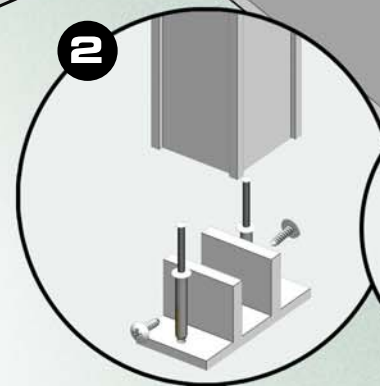
4. Install Roofing System

Our roof panels make roof installation simple. Panels sit on top of the installed walls and are secured into the hanging rail. Each panel interlocks with each other, side by side. Once the panels are joined together slide the bottom vinyl cleat into the panels.



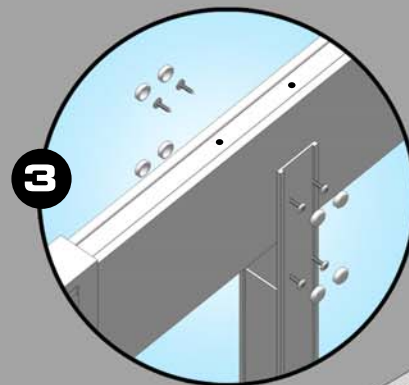
1. Hanging Rail

Your roof is firmly anchored to your house with our exclusive hanging rail. It is engineered for superior strength against water, wind and snow loads. Roof panels are inserted and anchored to the rail.



2. Foundation Attachment

Locate and install the column shoes to your approved foundation. Stand the column into place. Fasten the column to the column shoes using approved fasteners.



3. Column & Beam Connection

Locate rafter brackets and fasten them to the front beam. Each bracket has a pre-scribed location on the beam for easy installation. Insert the beam into the pre-notched column; level and attach the column to the beam with the approved fasteners.